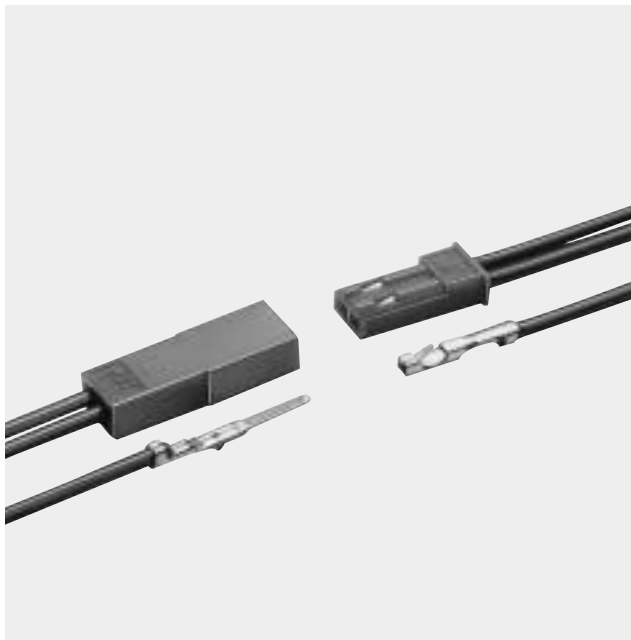


**JST**

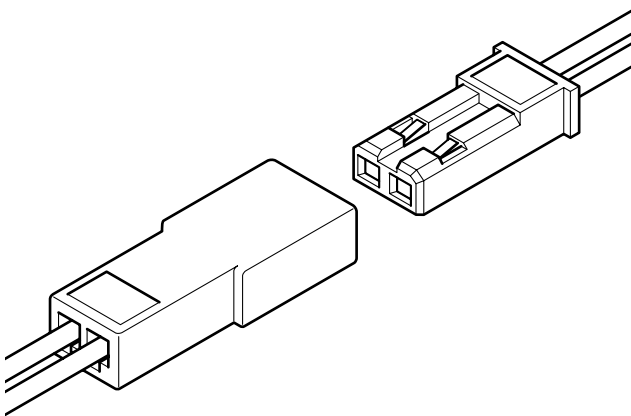
Crimp

**2.5mm**  
(.098") pitch

# RCY CONNECTOR

*Disconnectable Crimp style Wire-to-wire connectors*

**The RCY connector is a compact, 2.5mm (.098") pitch wire-to-wire connector for use with a variety of circuits, from signal circuits to power supply circuits, in electrical equipment which is becoming more and more compact. The employment of a free spring contact method ensures stable contact performance, and superb working efficiency of insertion and removal.**



## Features

- **Use of a free spring contact for superb creep characteristics**

The contact section features a free spring contact construction, which effectively minimizes stress (creep) caused by repeated insertion and removal at high temperatures. Connector insertion and removal is also smooth, ensuring stable connection performance.

- **Compact design**

The RCY connector is designed to be compact. When mated, its overall length is just 23.3mm (.917") and its thickness is 4.0mm (.157").

- **Housing lock**

Because a lock is provided inside the housing, external force is not applied to the lock.

## Specifications

- Current rating: 3A AC, DC max.
  - Voltage rating: 250V AC, DC max.
  - Temperature range: -25°C to +85°C  
(including temperature rise in applying electrical current)
  - Contact resistance: Initial value/10m max.  
After environmental testing/20m max.
  - Insulation resistance: 500M min.
  - Withstanding voltage: 1,500V AC/minute
  - Applicable wire: AWG #28 to #22  
0.08 to 0.33mm<sup>2</sup>
- \* Contact JST for details.

*Note: The current rating varies depending on the number of circuits and the wire size used in each connector. The table below lists the current rating as a function of the number of circuits and wire size.*

Current unit: A

Circuits	Wire size (AWG)			
	#22	#24	#26	#28
2	3	2	1	0.5

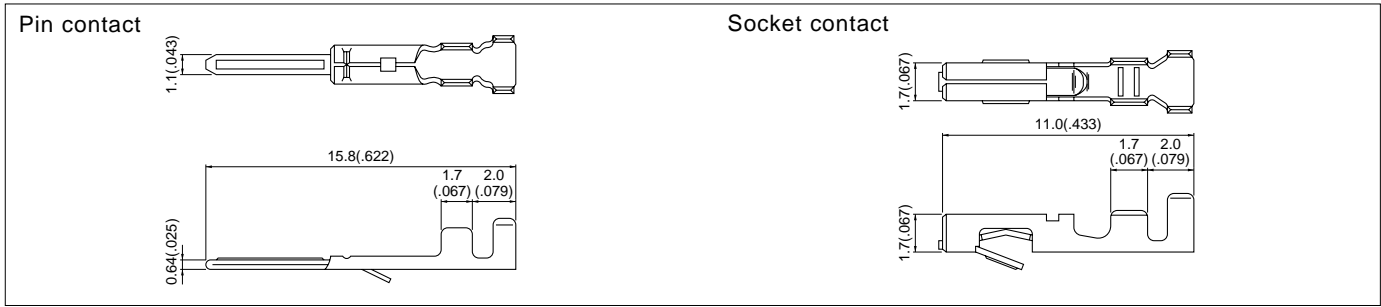
## Standards

 Recognized E60389

 Certified LR20812

# RCY CONNECTOR

## Contact

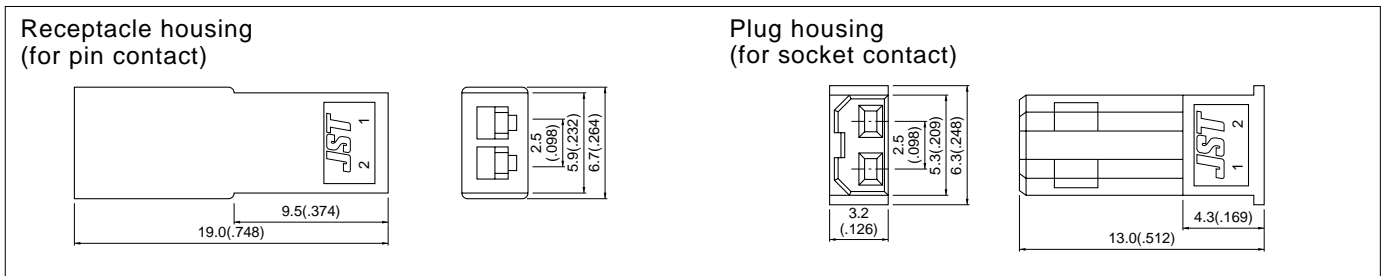


Model No.		Applicable wire			Q'ty / reel
Pin contact	Socket contact	mm <sup>2</sup>	AWG #	Insulation O.D. mm(in.)	
<b>SYM-001T-0.6</b>	<b>SYF-001T-P0.6</b>	0.08 to 0.33	28 to 22	1.2 to 1.8(.047 to .071)	Pin contact: 8,500 Socket contact: 7,500

### Material and Finish

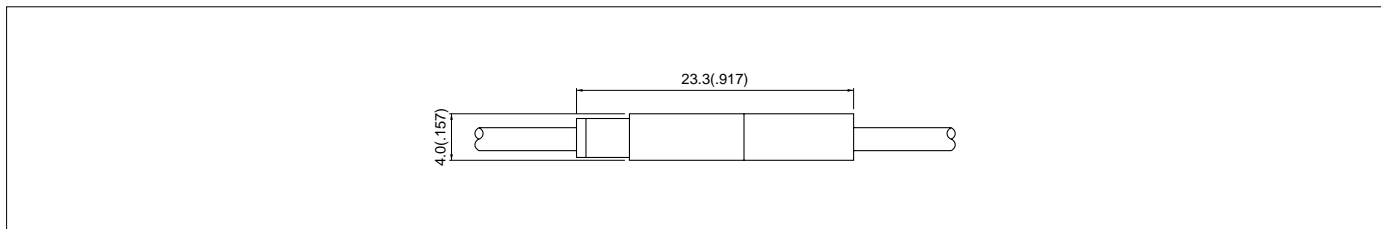
Pin contact: Brass, tin-plated  
Socket contact: Phosphor bronze, tin-plated

## Housing



Circuits	Model No.		Material and Finish	Q'ty / bag
	Receptacle housing	Plug housing		
2	<b>SYR-02T</b>	<b>SYP-02T-1</b>	Nylon 66, UL94V-2, red	1,000
	<b>SYR-02TV</b>	<b>SYP-02TV-1</b>	Nylon 66, UL94V-0, natural (white)	1,000

## Assembly layout



## Applicator for the semi-automatic press AP-K2N

Contact	Crimp applicator MKS-L		Compact crimp applicator MKS-LS		Strip-crimp applicator MKS-SC
	with safety cover	without safety cover	with safety cover	without safety cover	with safety cover
SYM-001T-P0.6	APLMK SYM001-06	APLNC SYM001-06	APLMKLS SYM001-06	APLLSNC SYM001-06	APLSC SYM001-06
SYF-001T-P0.6	APLMK SYF001-06	APLNC SYF001-06	-	-	APLSC SYF001-06